

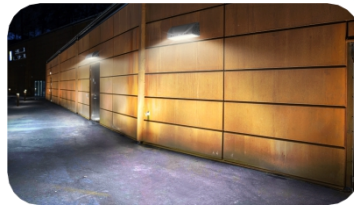
Sunview Led

Innovative LED Light Manufacture



S-300-W

DESIGNED FOR WALL



Sunview Led, LLC

Address: 30 N Gould St, Suite 1404
Sheridan, WY 82801

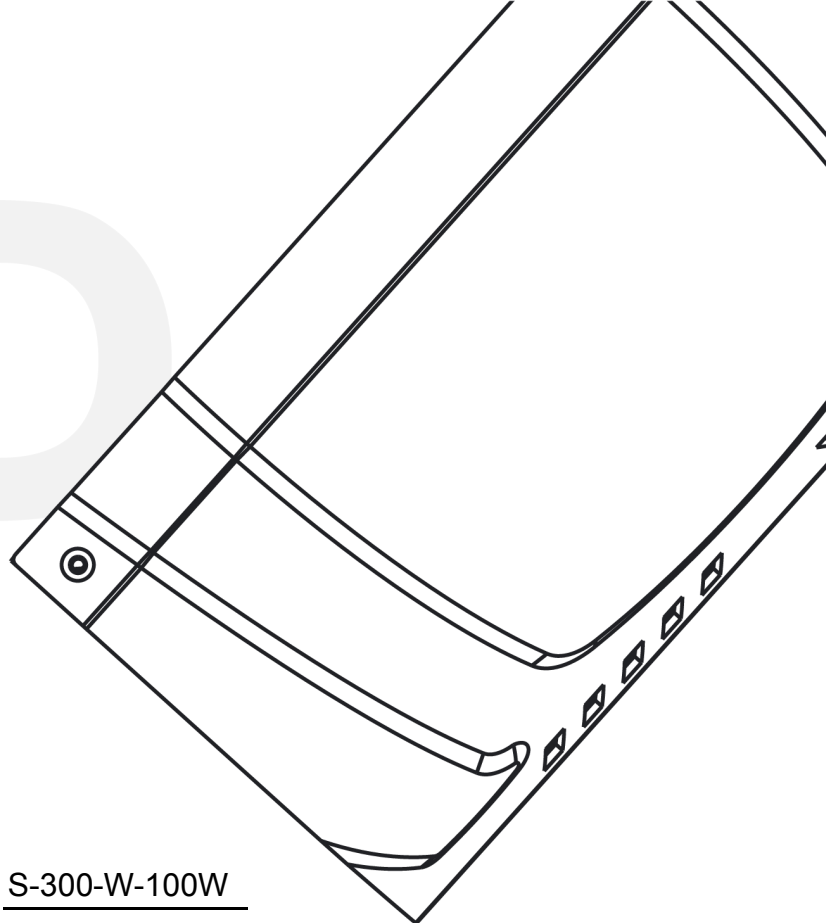
Phone: 877 778-6843

E-mail: info@sunviewled.com

Web: www.sunviewled.com

S-300-W

WALL LIGHT



S-300-W-50W

7,500LM±5%

1.53kg±5%

280x134x112mm

S-300-W-80W

12,000LM±5%

1.70kg±5%

280x134x112mm

S-300-W-100W

15,000LM±5%

1.70kg±5%

280x134x112mm

S-300-W-150W

22,500LM±5%

2.80kg±5%

345x172x163mm

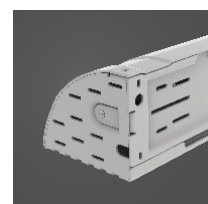
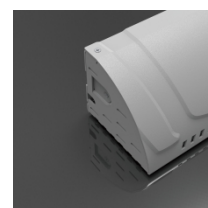
S-300-W-200W

30,000LM±5%

2.85kg±5%

345x172x163mm

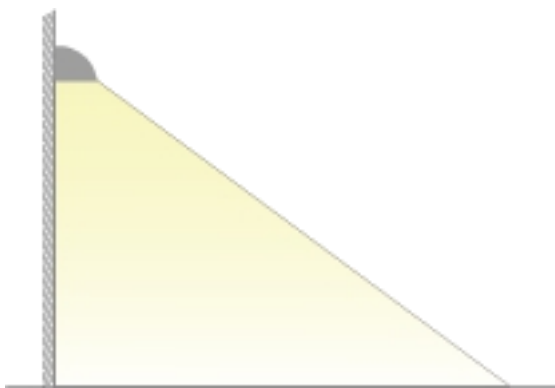
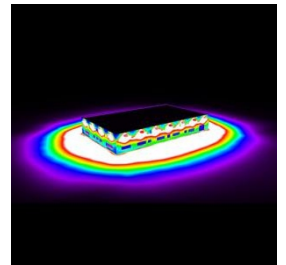
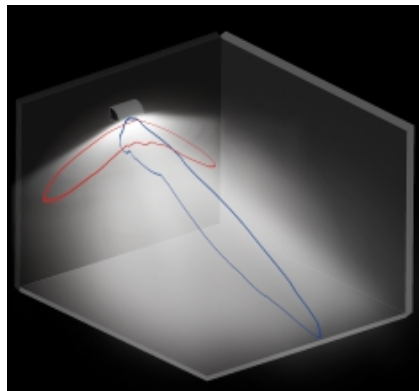
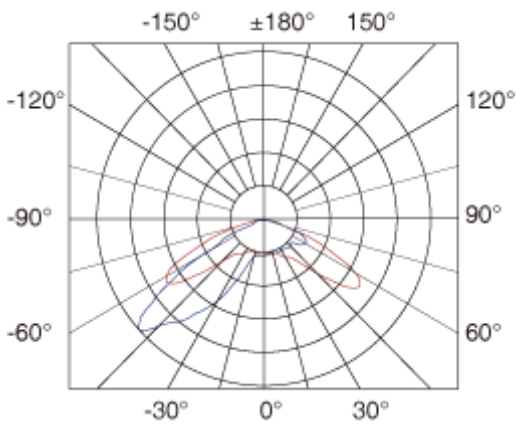
WATTAGE	50/80/100/150/200W
LAMP EFFICIENCY	150LM/W±5%
CRI	Ra>70/80
CCT	2700-6500K
RATED VOLTAGE	AC 100-240V 277V~, 50/60Hz
POWER FACTOR	>0.95
BEAM ANGLE	Asymmetric G6
IP GRADE	IP66
IK GRADE	IK10
OPERATING TEMP	-40°C~60°C



Asymmetric G6

Asymmetric optic lens G6 is designed for wall installation.

Dialux Simulation



Asymmetric Optics Design

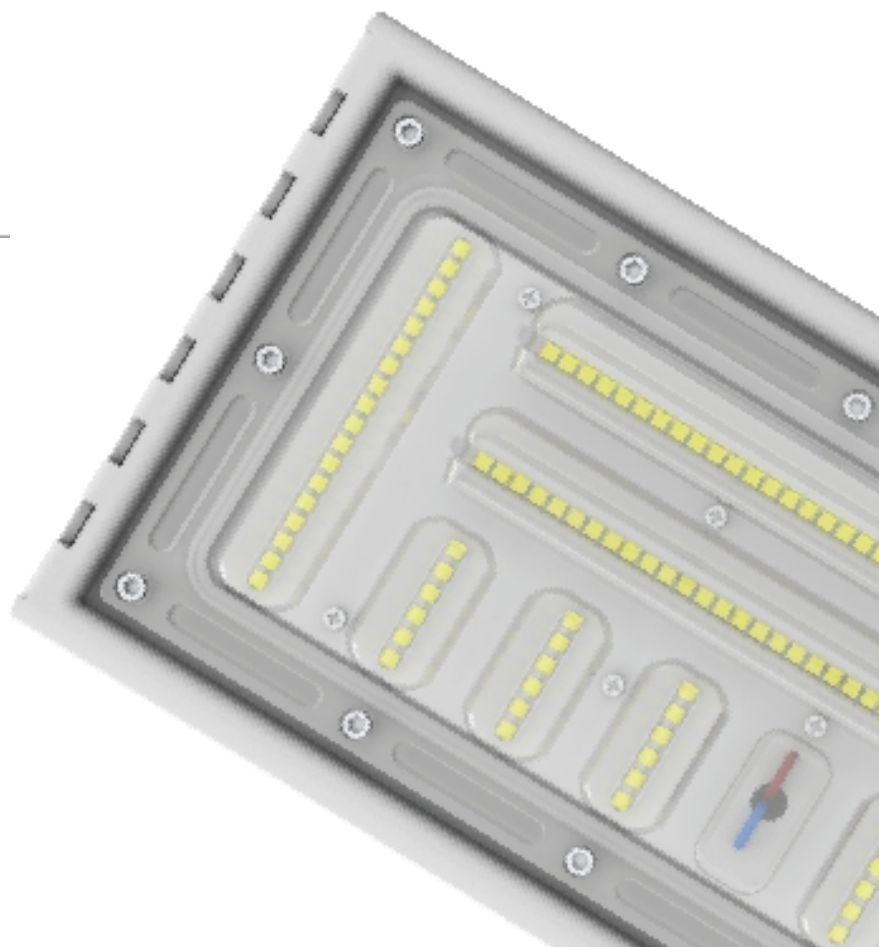
Application



Factory



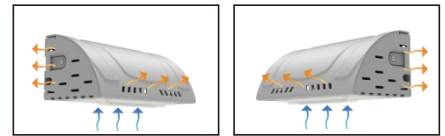
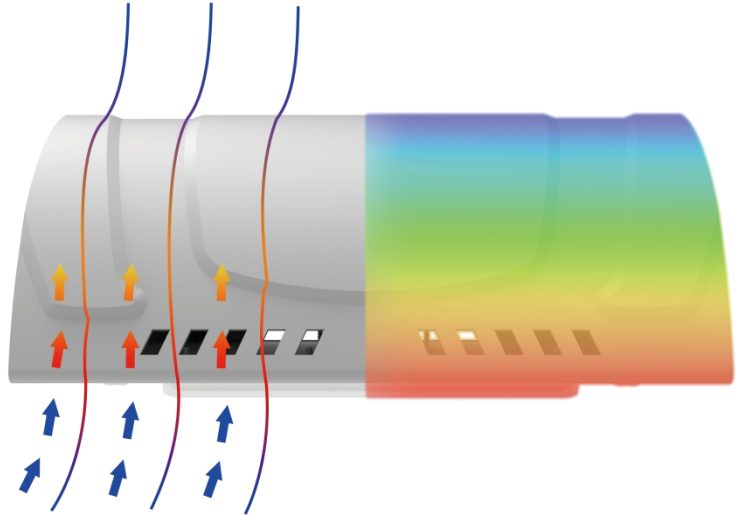
Warehouses



Feature

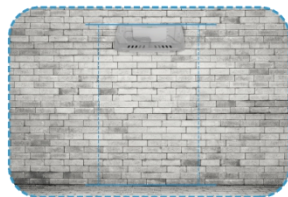
Three Advantages

- **Thinner in size**
The thickness is only 2.5mm, so that the conduction heat can be directly converted.
- **Larger in spaces**
There are 36 convection channels, and the convection radiation channel is increased to dissipate heat quickly.
- **Better in materials**
The fins are made of 1070 high thermal conductivity aluminum sheet, and the thermal conductivity is higher than that of die-cast

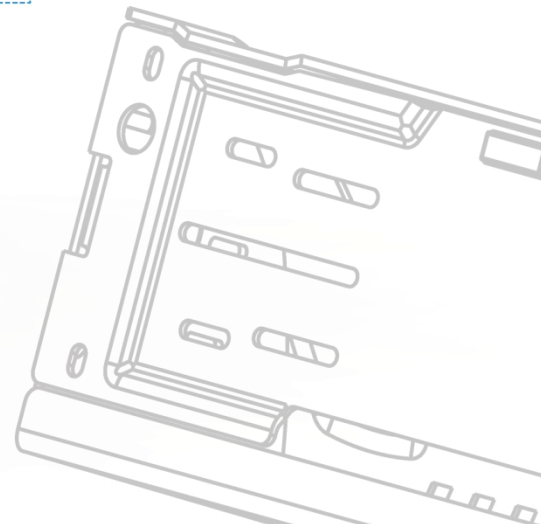
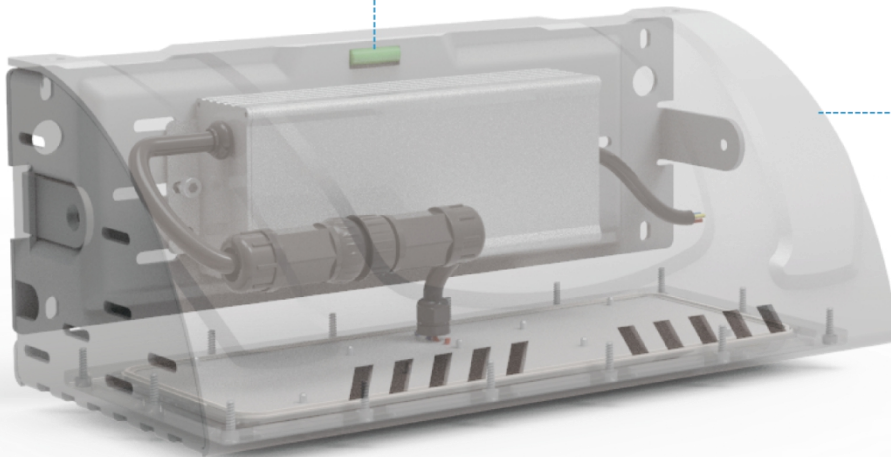
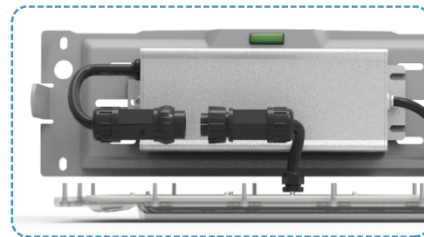


Gradiener

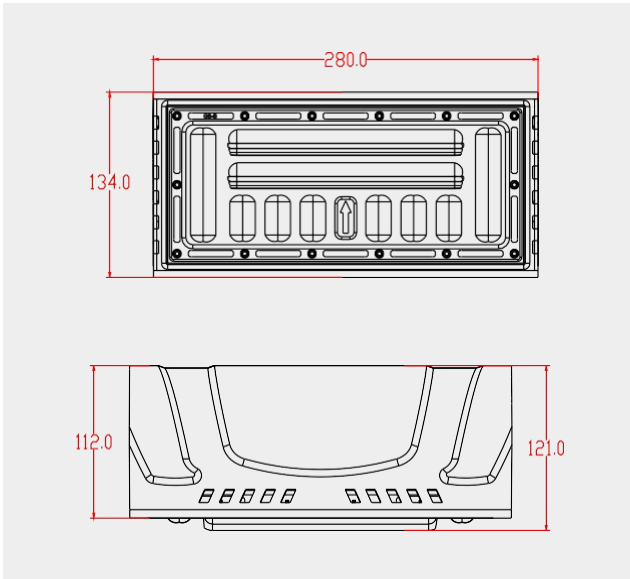
Regulate horizontal position



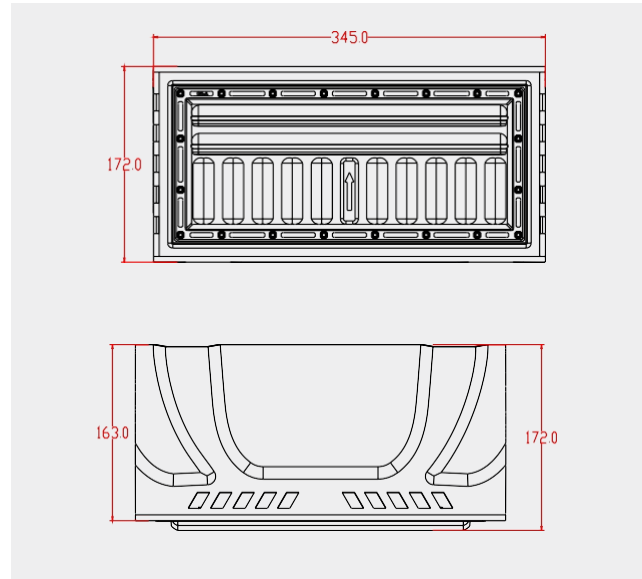
Easy to disassemble



Size (mm)



50/80/100W: 280×134×112mm



150/200W: 345×172×163mm

Test



Vibration Test



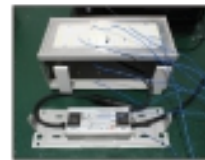
Salt Spray Test



Withstand Voltage Test



Low and High
Temperature Test



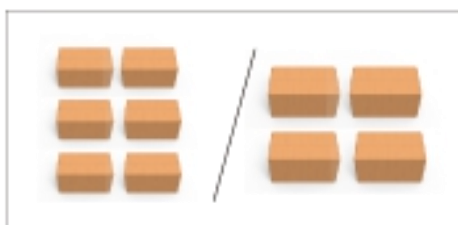
Temperature Rising Test



UV Aging Test

Packaging

Wattage	Size of box	Gross weight	Size of carton	Gross weight	Box quantity /carton
50W	310x185x175mm	1.83kg±5%	415x325x565mm	14.30kg±5%	6
80W	310x185x175mm	2.0kg±5%	415x325x565mm	14.30kg±5%	6
100W	310x185x175mm	2.0kg±5%	415x325x565mm	14.30kg±5%	6
150W	375x220x230mm	3.2kg±5%	475x405x510mm	13.80kg±5%	4
200W	375x220x230mm	3.25kg±5%	475x405x510mm	13.80kg±5%	4



**LED Wall Light
S-300-W**